

N000 v0

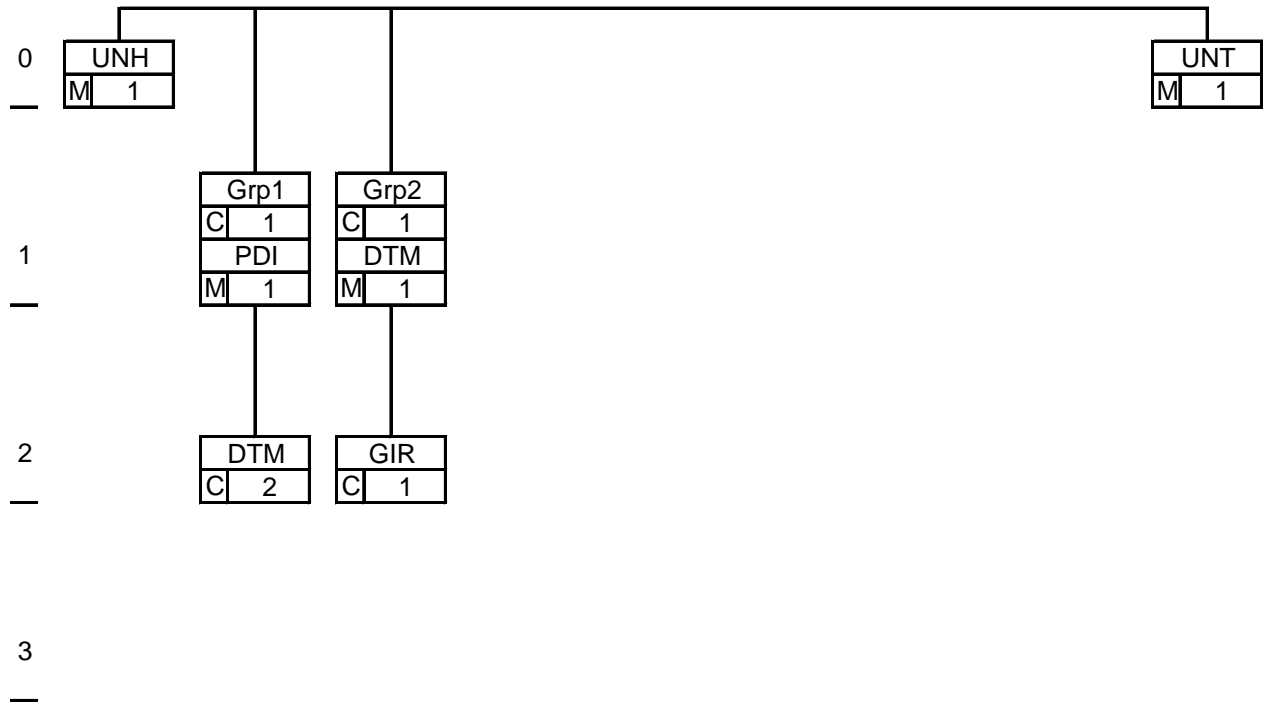
20/03/2002

Message name : N000
Message version 0
Date released 20/03/2002
Responsible agency BCSS-KSZ
Message description Registre BIS – Sexe ou Date de Naissance

Message type N000
Directory name UN/EDIFACT TRIAL DIRECTORY
Directory version 92.1

In release 20/03/2002

- ◆ Set on e-form the paper version of 30/08/1999



Message		M	1
UNH	Message header	M	1
Group 1		C	1
PDI	Personal Details (gender, marital status)	M	1
DTM	Date / Time / Period	C	2
Group 2		C	1
DTM	Date / Time / Period	M	1
GIR	Related Identification Numbers	C	1
UNT	Message trailer	M	1

Message**UNH - M - 1 - MESSAGE HEADER**

En-tête du message.

Group1 - C - 1**PDI - M - 1 - PERSONAL DETAILS (gender, marital status)**

- *Sexe*

DTM - C - 2 - DATE / TIME / PERIOD

- *(A) Date de naissance*
- *(B) Date de prise de cours*

(End of Group 1)

Group 2 - C - 1

En cas code retour = 80080

DTM - M - 1 - DATE / TIME / PERIOD

- *Date de mise à jour*

GIR - C - 1 - RELATED IDENTIFICATION NUMBERS

- *Nouveau numéro BIS*

(End of Group 2)

UNT - M - 1 - MESSAGE TRAILER

Fin du message

(End of Message)

UNH MESSAGE HEADER			M 1		
En-tête du message					
0062	MESSAGE REFERENCE NUMBER	AN..14	M	R	.
S009	MESSAGE IDENTIFIER		M	R	.
0065	Message type identifier	AN..6	M	R	N000
0052	Message type version number	AN..3	M	R	"000"
0054	Message type release number	AN..3	M	R	"000"
0051	Controlling agency	AN..2	M	R	"BK"
0057	Association assigned code	AN..6	C	X	
0068	COMMON ACCESS REFERENCE	AN..35	C	X	
S010	STATUS OF THE TRANSFER		C	X	
0070	Sequence message transfer number	N..2	M	X	
0073	First/Last sequence message transfer indication	A1	C	X	

PDI PERSONAL DETAIL			M 1		
Code sexe					
3917	SEX, CODED	AN..3	C	R	Code sexe "1" masculin "2" féminin " " inconnu
C085	MARITAL STATUS DETAILS		C	X	
3913	Marital status, coded	AN..3	C	X	
1131	Code list qualifier	AN..3	C	X	
3055	Code list responsible agency, coded	AN..3	C	X	
3912	Marital status	AN..35	C	X	
C101	RELIGION DETAILS		C	X	
3923	Religion, coded	AN..3	C	X	
1131	Code list qualifier	AN..3	C	X	
3055	Code list responsible agency, coded	AN..3	C	X	
3922	Religion	AN..35	C	X	

DTM DATE/TIME/PERIOD			C 2		
(A) Date de naissance (B) Date de prise de cours N000					
C507	DATE/TIME/PERIOD		M	R	.
2005	Date/time/period qualifier	AN..3	M	R	(A) "329" (B) "653"
2380	Date/time/period	AN..35	C	R	(A) Date de naissance (B) Date de prise de cours N000
2379	Date/time/period format qualifier	AN..3	C	R	"102" format 'CCYYMMDD'

DTM DATE/TIME/PERIOD			M		1
Date de mise-à-jour					
C507	DATE/TIME/PERIOD		M	R	.
2005	Date/time/period qualifier	AN..3	M	R	"193"
2380	Date/time/period	AN..35	C	R	Date de mise à jour
2379	Date/time/period format qualifier	AN..3	C	R	"102" format 'CCYYMMDD'

GIR RELATED IDENTIFICATION NUMBERS			C		1
Nouveau numéro BIS (RC = 80080)					
7297	SET IDENTIFICATION QUALIFIER	AN..3	M	R	"566"
C206	IDENTIFICATION NUMBER		M	R	.
7402	Identity number	AN..35	M	R	Nouveau numéro BIS
7405	Identity number qualifier	AN..3	C	X	
3039	Party id identification	AN..17	C	X	
1131	Code list qualifier	AN..3	C	X	
3055	Code list responsible agency, coded	AN..3	C	X	
4405	Status, coded	AN..3	C	X	
C206	IDENTIFICATION NUMBER		C	X	
7402	Identity number	AN..35	M	X	
7405	Identity number qualifier	AN..3	C	X	
3039	Party id identification	AN..17	C	X	
1131	Code list qualifier	AN..3	C	X	
3055	Code list responsible agency, coded	AN..3	C	X	
4405	Status, coded	AN..3	C	X	
C206	IDENTIFICATION NUMBER		C	X	
7402	Identity number	AN..35	M	X	
7405	Identity number qualifier	AN..3	C	X	
3039	Party id identification	AN..17	C	X	
1131	Code list qualifier	AN..3	C	X	
3055	Code list responsible agency, coded	AN..3	C	X	
4405	Status, coded	AN..3	C	X	
C206	IDENTIFICATION NUMBER		C	X	
7402	Identity number	AN..35	M	X	
7405	Identity number qualifier	AN..3	C	X	
3039	Party id identification	AN..17	C	X	
1131	Code list qualifier	AN..3	C	X	
3055	Code list responsible agency, coded	AN..3	C	X	
4405	Status, coded	AN..3	C	X	

UNT MESSAGE TRAILER		M 1		
Fin du message				
0074	NUMBER OF SEGMENTS IN A MESSAGE	N..6	M	R .
0062	MESSAGE REFERENCE NUMBER	AN..14	M	R .

IHFN	In House File Normalised
-------------	--------------------------

PDIA1	1
DTMA1	2
DTMC	3
GIRA1	4

Légende		
Align	L	Left / Gauche / Links
	R	Right / Droite / Rechts
Typ	AN	AlphaNumeric / Aphanumérique / Alfnumeriek
	A	Alphabetic / Aphabetique / Alfabetisch
	N	Numeric / Numérique / Numeriek
St.	M	Mandatory / Obligatoire / Noodzakelijk
	C	Conditional / Conditionnel / Conditioneel

PDIA1							
Code sexe							
Fields	Len.	from	to	Value/Description	Align	Typ	St.
Rec-type	5	1	5	PDIA1	L	AN	M
PDIA1-3917	1	6	6	Code sexe: "1" = masculin "2" = féminin Blanc = inconnu	L	AN	C

DTMA1							
(A) Date de naissance (B) Date de prise de cours (N000)							
Fields	Len.	from	to	Value/Description	Align	Typ	St.
Rec-type	5	1	5	DTMA1	L	AN	M
DTMA1-2005	3	6	8	(A) "329" (B) "653"	L	AN	M
DTMA1-2380	8	9	16	(A) Date de naissance (B) Date de prise de cours N000	L	AN	C
DTMA1-2379	3	17	19	"102": CCYYMMDD	L	AN	C

DTMC1							
Date de mise à jour							
Fields	Len.	from	to	Value/Description	Align	Typ	St.
Rec-type	5	1	5	"ERCA1"	L	AN	M
DTMC1-2005	3	6	8	"193" (qualifiant)	L	AN	M
DTMC1-2380	8	9	16	Date de mise à jour	L	AN	C
DTMC-2379	3	17	19	"102": CCYYMMDD	L	AN	C

GIRA1							
Nouveau numéro BIS							
Fields	Len.	from	to	Value/Description	Align	Typ	St.
Rec-type	5	1	5	GIRA1	L	AN	M
GIRA1-7297	3	6	8	"566"	L	AN	M
GIRA1-7402	11	9	19	Nouveau numéro BIS	L	AN	C